

# GX-Type Nuts

## HEAVY SERIES GX-4.10 with TRANSVERSE GX-NIPPLE and VENT SCREW

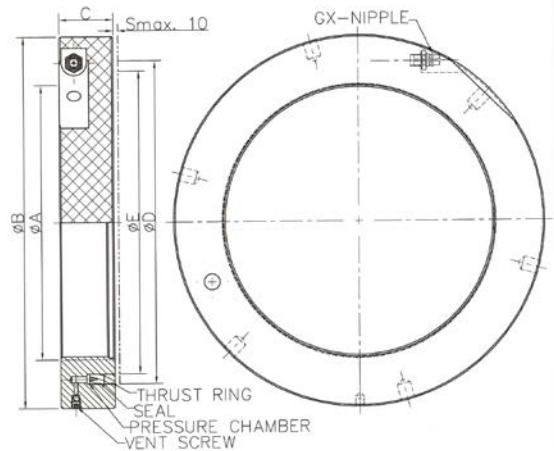
Oil activated by manual or motorized pump. Quick disconnect Amtec fittings. Self-aligning annular thrust ring with up to 10 mm axial travel.

### FEATURES:

- Standard black oxide finish for 120°C max. (250°F).
- Alloy tool steel body parts.
- Dual directional, all steel, quick disconnect, high pressure GX-NIPPLE for mating with GX-COUPLER.
- All components rated at 840 bar max. (12,180 psi).

### SELECTION:

- Diameter "A" must meet or exceed your major arbor thread size.
- Verify diameters D & E contact an uninterrupted counter face.
- Select thrust ring travel "S", as required.
- B & C dimensions must not exceed available space.
- Ensure adequate clamping force has been selected.
- If necessary, select a larger nut or customize.



MODEL	NOM. THREAD ø MAX. A		THRUST RING				THRUST RING TRAVEL S		DIAMETER B		THICKNESS C		AXIAL CLAMP FORCE			
			O.D.		I.D.								400 BAR (5,800 psi) T <sub>1</sub>		700 BAR (10,150 psi) T <sub>2</sub>	
	mm	inch	mm	inch	mm	inch	mm	inch	mm	inch	kN	ton	kN	ton		
GX-4.10165	210	8.250	272	10.709	240	9.449	10	0.394	306	12.047	80	3.150	515	58	900	101
GX-4.1017	228	9.000	285	11.220	260	10.236	10	0.394	320	12.598	80	3.150	428	48	749	84
GX-4.1018	248	9.750	310	12.205	280	11.024	10	0.394	345	13.583	80	3.150	556	62	973	109
GX-4.1019	268	10.500	330	12.992	300	11.811	10	0.394	365	14.370	80	3.150	594	67	1039	116
GX-4.10195	292	11.500	355	13.976	325	12.795	10	0.394	394	15.512	80	3.150	640	71	1121	125
GX-4.1020	298	11.750	366	14.409	330	12.992	10	0.394	408	16.063	85	3.346	787	88	1377	154
GX-4.1021	324	12.750	400	15.748	360	14.173	10	0.394	448	17.638	85	3.346	955	107	1671	187
GX-4.1022	356	14.000	422	16.614	390	15.354	10	0.394	466	18.346	85	3.346	816	91	1428	160
GX-4.1023	382	15.000	450	17.717	420	16.535	10	0.394	494	19.449	85	3.346	820	92	1435	161
GX-4.1024	420	16.500	500	19.685	460	18.110	10	0.394	548	21.575	85	3.346	1206	135	2110	237
GX-4.1025	452	17.750	520	20.472	490	19.291	10	0.394	568	22.362	80	3.150	952	107	1665	187

Custom sizes and clamping forces upon request at head office.