

Amtec H-Type Nuts

STANDARD/HEAVY SERIES H-2.4 & H-2.10 2 RADIAL HYDRAULIC PORTS IN THE OD

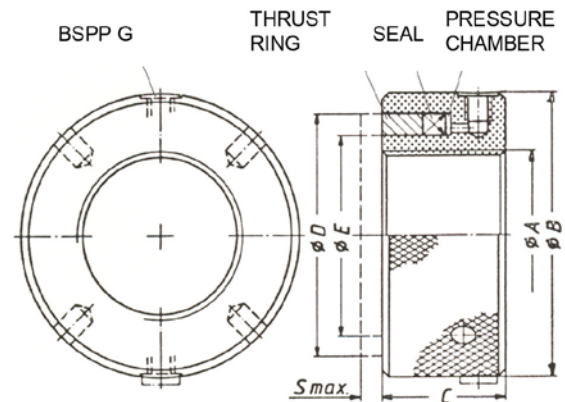
Oil activated nuts for connection to "in-series" piping or custom fittings.

FEATURES:

- Standard black oxide finish for 120°C max. (250°F).
- Special finishes for service up to 240°C max (460°F).
- Alloy tool steel body parts.
- BSPP G ¼ threaded ports or custom to suit.
- All components rated at 840 bar max. (12,180 psi).

SELECTION:

- Diameter "A" must meet or exceed your major arbor thread size.
- Verify diameters D & E contact an uninterrupted counter face.
- Select thrust ring travel "S" as required.
- Ensure adequate clamping force has been selected.
- If necessary, select a larger nut model.



MODEL	NOM. THREAD Ø MAX. A		THRUST RING				THRUST RING TRAVEL S		DIAMETER B		THICKNESS C		AXIAL CLAMP FORCE			
			O.D.		I.D.								400 BAR (5,800 psi) T ₁		700 BAR (10,150 psi) T ₂	
	mm	inch	mm	inch	mm	inch	mm	inch	mm	inch	mm	inch	kN	tn	kN	tn
H-2.405	36	1.375	66	2.598	46	1.811	4	0.157	82	3.228	50	1.969	70	8	120	13
H-2.1005	36	1.375	66	2.598	46	1.811	10	0.394	85	3.346	60	2.632	70	8	120	13
H-2.407	52	2.000	82	3.228	62	2.441	4	0.157	98	3.858	50	1.969	90	10	158	18
H-2.1007	52	2.000	82	3.228	62	2.441	10	0.394	102	4.016	60	2.362	90	10	158	18
H-2.408	68	2.625	100	3.937	80	3.150	4	0.157	116	4.567	50	1.929	113	13	198	22
H-2.1008	68	2.625	100	3.937	80	3.150	10	0.394	120	4.724	60	2.362	113	13	198	22
H-2.409	82	3.250	115	4.528	95	3.740	4	0.157	131	5.157	50	1.969	131	14	230	26
H-2.1009	82	3.250	115	4.528	95	3.740	10	0.394	135	5.315	60	2.362	131	14	230	26
H-2.410	100	3.875	130	5.118	112	4.409	4	0.157	148	5.827	50	1.969	137	15	239	27
H-2.1010	100	3.875	130	5.118	112	4.409	10	0.394	152	5.984	60	2.362	137	15	239	27
H-2.1011	125	4.875	160	6.299	138	5.433	10	0.394	185	7.283	60	2.362	205	23	360	40
H-2.1012	142	5.625	175	6.890	155	6.102	10	0.394	200	7.874	60	2.362	207	23	363	41
H-2.10125	156	6.125	190	7.480	170	6.693	10	0.394	215	8.465	60	2.362	226	25	396	45
H-2.1013	165	6.500	200	7.874	180	7.087	10	0.394	228	8.976	60	2.362	238	27	417	47
H-2.1014	186	7.375	222	8.740	202	7.953	10	0.394	250	9.843	60	2.362	266	30	466	52
H-2.1015	198	7.750	240	9.449	215	8.465	10	0.394	268	10.551	60	2.362	357	40	625	70
H-2.10155	218	8.500	260	10.236	235	9.252	10	0.394	288	11.339	60	2.362	389	43	680	76
H-2.10161	226	8.875	270	10.630	245	9.646	10	0.394	298	11.732	60	2.362	404	45	707	79
H-2.1017	242	9.500	285	11.220	260	10.236	10	0.394	313	12.323	60	2.362	428	48	749	84
H-2.1018	260	10.250	310	12.205	280	11.024	10	0.394	344	13.543	65	2.559	556	62	973	109
H-2.1019	280	11.000	330	12.992	300	11.811	10	0.394	364	14.331	65	2.559	594	67	1039	116
H-2.10195	305	12.000	355	13.976	325	12.795	10	0.394	392	15.433	70	2.756	640	71	1121	125
H-2.1020	308	12.125	366	14.409	330	12.992	10	0.394	406	15.984	70	2.756	787	88	1377	154
H-2.1021	336	13.250	400	15.748	360	14.173	10	0.394	448	17.638	70	2.756	955	107	1671	187
H-2.1022	366	14.375	422	16.614	390	15.354	10	0.394	460	18.110	70	2.756	816	91	1428	160
H-2.1023	396	15.625	450	17.717	420	16.535	10	0.394	486	19.134	70	2.756	820	92	1435	161

Special features or requirements can be accommodated. Kindly contact your local agent or call our office directly.