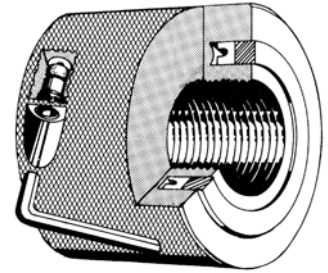


# K-Type Nuts

## STANDARD SERIES K6.1 & K6.2 with TRANSVERSE ACTUATOR SCREW & PISTON



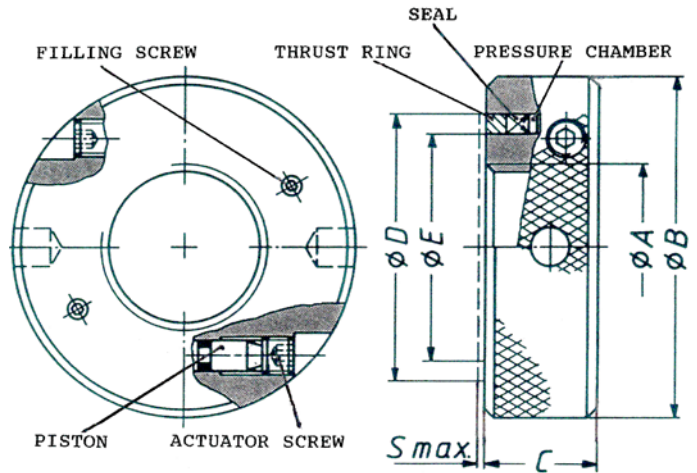
A sealed grease system without pressure release to atmosphere. Actuated by a hand held hex wrench. Transverse pistons provide a narrow profile. Thrust Ring offers 1 or 2 mm of axial travel.

### FEATURES:

- Standard black oxide finish for 120°C max. (250°F).
- Alloy tool steel body parts.
- Stainless steel, electroless nickel or chromium plating for optional corrosion resistance.
- Self-aligning annular thrust ring.
- Clean, efficient, hand operated clamping system.

### SELECTION:

- Diameter "A" must meet or exceed your major arbor thread size.
- Verify diameters D & E contact an uninterrupted counter face.
- Select thrust ring travel "S" as required.
- B & C dimensions must not exceed available space.
- Ensure adequate clamping force has been selected.
- If necessary, select a larger nut model.



Model	Nom. Thread ø Max. A		Thrust Ring				Thrust Ring Travel S	Diameter		Thickness		No. of Pistons	Max Axial Clampforce T		
			O.D. D		I.D. E			B	C	KN	ton				
	mm	inch	mm	inch	mm	inch									
K-6.104	30	1.125	52	2.047	44	1.732	1	0.039	75	2.953	30	1.181	1	60	6
K-6.204			52	2.047	44	1.732	2	0.079	75	2.953	30	1.181	2	60	6
K-6.106	42	1.625	65	2.559	55	2.165	1	0.039	92	3.622	35	1.378	1	84	8.4
K-6.206			65	2.559	55	2.165	2	0.079	92	3.622	35	1.378	2	84	8.4
K-6.107	52	2.000	84	3.307	72	2.835	1	0.039	112	4.409	36	1.417	1	132	13
K-6.207			84	3.307	72	2.835	2	0.079	112	4.409	36	1.417	2	132	13
K-6.108	68	2.625	92	3.622	82	3.228	1	0.039	118	4.646	37	1.457	1	123	12
K-6.208			92	3.622	82	3.228	2	0.079	118	4.646	37	1.457	2	123	12
K-6.109	80	3.125	110	4.331	100	3.937	1	0.039	134	5.276	38	1.496	1	148	15
K-6.209			110	4.331	100	3.937	2	0.079	134	5.276	38	1.496	2	148	15
K-6.210	100	3.875	125	4.921	110	4.331	2	0.079	167	6.575	45	1.772	2	166	16.6
K-6.211	120	4.750	150	5.906	135	5.315	2	0.079	188	7.402	45	1.772	2	152	15
K-6.212	140	5.500	175	6.890	155	6.102	2	0.079	212	8.346	48	1.890	2	233	23
K-6.213	160	6.250	200	7.874	180	7.087	2	0.079	230	9.055	50	1.969	2	180	18
K-6.214	180	7.000	222	8.740	202	7.953	2	0.079	245	9.646	50	1.969	2	200	20
K-6.215	200	7.875	230	9.055	215	8.465	2	0.079	270	10.630	50	1.969	2	210	21
K-6.216	220	8.625	255	10.039	235	9.252	2	0.079	290	11.417	50	1.969	3	230	23
K-6.217	240	9.375	280	11.024	260	10.236	2	0.079	305	12.008	50	1.969	3	254	25.4

*Special features or requirements can be accommodated. Kindly contact your local agent or call our office directly.*