

K-Type Nuts

STANDARD SERIES K7.1, K7.2 & K7.4

with AXIAL ACTUATOR SCREW, PISTON & LIMITER SCREW

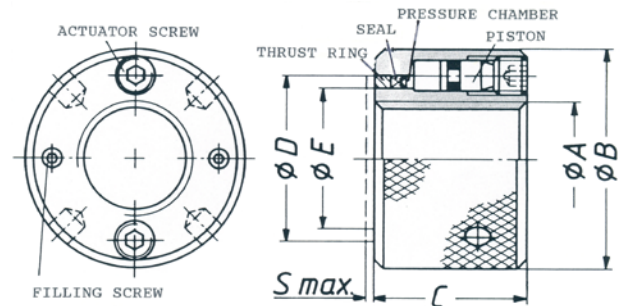
A sealed grease system without pressure release to atmosphere. Actuated by a hand held hex wrench. Axial pistons provide a compact OD. Thrust Ring offers 1 to 4 mm of axial travel.

FEATURES:

- Standard black oxide finish for 120°C max. (250°F).
- Special finishes for service up to 240°C max (460°F).
- Alloy tool steel body parts.
- Stainless steel, electroless nickel or chromium plating for optional corrosion resistance.
- Self-aligning annular thrust ring.
- Clean, efficient, hand operated clamping system.

SELECTION:

- Diameter "A" must meet or exceed your major arbor thread size.
- Verify diameters D & E match with an uninterrupted counter face.
- Select thrust ring travel.
- Ensure adequate clamping force is available.
- If necessary, select a larger nut.



Model	Nom. Thread ø Max. A		Thrust Ring				Thrust Ring Travel S		Diameter B		Thickness C		No. of Pistons	Max Axial Clampforce T	
			O.D. D		I.D. E										
	mm	inch	mm	inch	mm	inch	mm	inch	mm	inch	mm	inch		KN	ton
K-7.101L	16	0.625	28	1.102	22	0.866	1	0.039	44	1.732	42	1.654	1	24	2.4
K-7.201L			28	1.102	22	0.866	2	0.079	44	1.732	42	1.654	2	24	2.4
K-7.102L	20	0.750	34	1.339	26	1.024	1	0.039	48	1.890	48	1.850	1	38	4
K-7.202L			34	1.339	26	1.024	2	0.079	48	1.890	48	1.850	2	38	4
K-7.103L	24	0.875	40	1.575	32	1.260	1	0.039	56	2.205	48	1.890	1	45	4.5
K-7.203L			40	1.575	32	1.260	2	0.079	56	2.205	48	1.890	2	45	4.5
K-7.104L	30	1.125	46	1.811	38	1.496	1	0.039	64	2.520	48	1.890	1	60	6
K-7.204L			46	1.811	38	1.496	2	0.079	64	2.520	48	1.890	2	60	6
K-7.105L	36	1.375	52	2.047	44	1.732	1	0.039	70	2.756	48	1.890	1	60	6
K-7.205L			52	2.047	44	1.732	2	0.079	70	2.756	48	1.890	2	60	6
K-7.106L	42	1.625	62	2.441	50	1.969	1	0.039	80	3.150	56	2.205	1	95	9.5
K-7.206L			62	2.441	50	1.969	2	0.079	80	3.150	56	2.205	2	95	9.5
K-7.107L	50	2.000	72	2.835	60	2.362	1	0.039	90	3.543	62	2.441	1	112	11
K-7.207L			72	2.835	60	2.362	2	0.079	90	3.543	62	2.441	2	112	11
K-7.108L	68	2.625	92	3.622	82	3.228	1	0.039	110	4.331	62	2.441	1	123	12
K-7.208L			92	3.622	82	3.228	2	0.079	110	4.331	62	2.441	2	123	12
K-7.109L	78	3.000	100	3.937	88	3.465	1	0.039	120	4.724	70	2.756	1	160	16
K-7.209L			100	3.937	88	3.465	2	0.079	120	4.724	70	2.756	2	160	16
K-7.210L	100	3.875	125	4.921	110	4.331	2	0.079	148	5.827	80	3.150	2	166	16.6
K-7.410L			125	4.921	110	4.331	4	0.157	160	6.102	98	3.920	2	110	11
K-7.101L	16	0.625	28	1.102	22	0.866	1	0.039	44	1.732	42	1.654	1	24	2.4
K-7.201L			28	1.102	22	0.866	2	0.079	44	1.732	42	1.654	2	24	2.4
K-7.102L	20	0.750	34	1.339	26	1.024	1	0.039	48	1.890	48	1.850	1	38	4

Special features or requirements can be accommodated. Kindly contact your local agent or call our office directly.