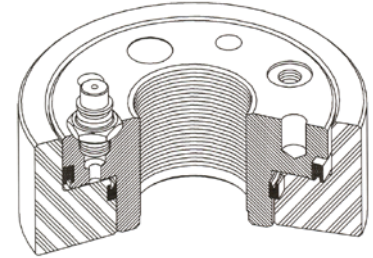


Amtec Step Nuts

SERIES 024 AND 026
 SINGLE AND DOUBLE ACTING



Custom designed, oil activated, high clamp force, pre-tensioning devices.

Series 024 – Single Acting

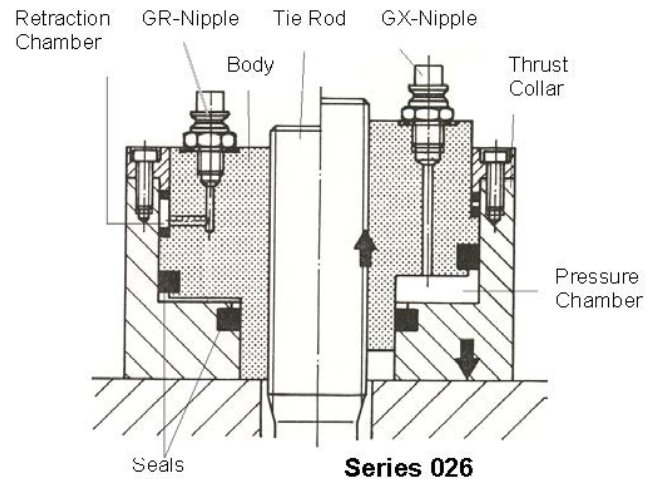
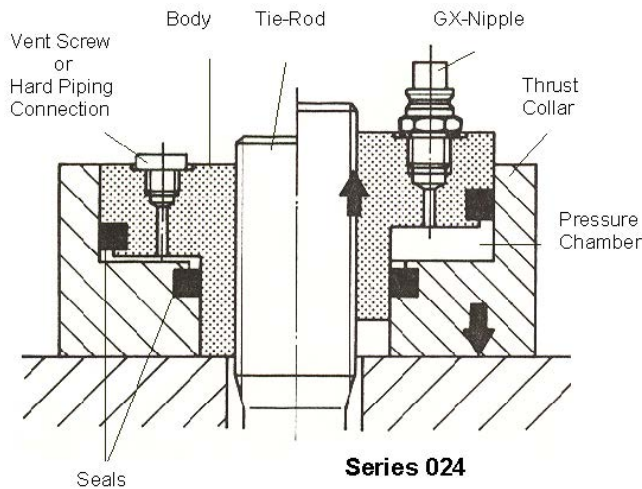
Compact, highly efficient, hard piped or through quick disconnect GX-Nipple and Coupler connections, the Single Acting, Amtec Step Nut provides accurately controlled pre-tensioning service for tie-rods, shafts and arbors in rolling mills, pinion stands, shearing equipment and presses.

For short periods of up to three weeks, internal pressures will be reliably constant. Pressure monitoring systems can be added where longer in-service periods are required.

Series 026 – Double Acting

The Double Acting, Amtec Step Nut provides a custom designed Pressure Chamber to exceed any pre-tensioning requirement, as well as a low pressure Retraction Chamber.

Amtec GX-Nipple and Coupler arrangements or Hard Piping Connections with oil pumping systems can be designed to meet specific operating requirements for pressurizing, depressurizing and monitoring oil pressures. A dual pressure, oil pumping system is required to operate the Series 026 Double Acting Amtec Step Nut.



The above cross-sectional drawing shows the left side in a de-pressurized state while the right side is in a pressurized state.

The above cross-sectional drawing shows the left side in a de-pressurized state while the right side is in a pressurized state. Pumping low pressure oil into the Retraction Chamber will return the Thrust Collar into a “home” position as shown on the left side of the drawing.

Special features or requirements can be accommodated. Kindly contact your local agent or call our office directly.

Information Sheet No. 000.024.026.001E Feb/07
 © Amtec Hydraclamp