

# F-Type Nuts

**ALUMINIUM SERIES F8.4 & F8.10**  
 with TRANSVERSE F-NIPPLE and RELEASE SCREW

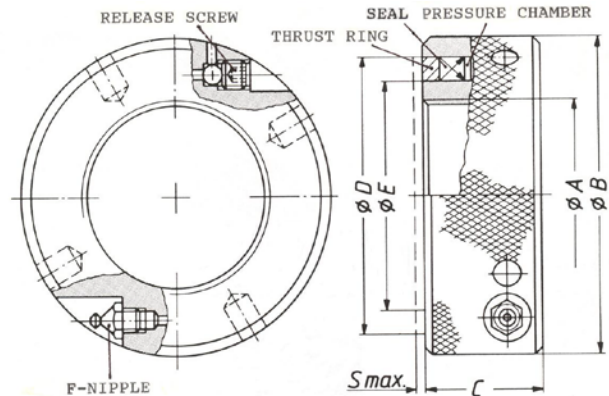
Actuated by manual or motorized grease pump. Self-aligning annular thrust ring with 4 or 10 mm maximum axial travel.

**FEATURES:**

- Standard bright finish for 120°C max. (250°F).
- Alloy Aluminium bodies.
- Thrust rings alloy steel.
- Unidirectional, all steel, high pressure F-NIPPLE.
- All components rated at 500 bar max. (7,250 psi).

**SELECTION:**

- Choose diameter “A” to meet or exceed your major arbor thread size.
- Verify diameters D & E contact an uninterrupted counter face.
- Select thrust ring travel “S” as required.
- B & C dimensions must not exceed available space.
- Ensure adequate clamping force has been selected.
- If necessary, select a larger nut model.



MODEL	NOM. THREAD ø MAX. A		THRUST RING				THRUST RING TRAVEL		DIAMETER		THICKNESS		AXIAL CLAMP FORCE			
			O.D.		I.D.		S		B		C		400 BAR (5,800 psi)		T <sub>2</sub>	
			D	E									T <sub>1</sub>			
	mm	inch	mm	inch	mm	inch	mm	inch	mm	inch	mm	inch	kN	tn	kN	ton
F-8.415.517	196	7.750	260	10.236	235	9.252	4	0.157	288	11.339	55	2.165	389	43		
F-8.1015.517			260	10.236	235	9.252	10	0.394	294	11.575	65	2.559				
F-8.416.117	206	8.125	270	10.630	245	9.646	4	0.157	298	11.732	55	2.165	404	45		
F-8.1016.117			270	10.630	245	9.646	10	0.394	304	11.969	65	2.559				
F-8.417.017	222	8.750	285	11.221	260	10.236	4	0.157	313	12.323	55	2.165	428	48		
F-8.1017.017			285	11.221	260	10.236	10	0.394	319	12.559	65	2.559				
F-8.418.017	242	9.500	310	12.205	280	11.024	4	0.157	344	13.543	60	2.362	556	62		
F-8.1018.017			310	12.205	280	11.024	10	0.394	350	13.780	70	2.756				
F-8.419.017	260	10.250	330	12.992	300	11.811	4	0.157	364	14.331	60	2.362	594	67		
F-8.1019.017			330	12.992	300	11.811	10	0.394	370	14.567	70	2.756				
F-8.419.517	286	11.250	355	13.976	325	12.795	4	0.157	392	15.433	65	2.559	640	71		
F-8.1019.517			355	13.976	325	12.795	10	0.394	398	15.669	75	2.953				
F-8.420.017	288	11.375	366	14.409	330	12.992	4	0.157	408	16.063	65	2.559	787	88		
F-8.1020.017			366	14.409	330	12.992	10	0.394	414	16.299	75	2.953				
F-8.1021.017	314	12.375	400	15.748	360	14.173	10	0.394	460	18.110	75	2.953	955	107		
F-8.1022.017	348	13.750	422	16.614	390	15.354	10	0.394	470	18.504	75	2.953	816	91		
F-8.1023.017	378	14.875	450	17.717	420	16.535	10	0.394	496	19.528	75	2.953	820	92		

*Special features or requirements can be accommodated. Kindly contact your local agent or call our office directly.*