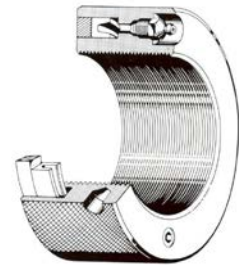


F-Type Nuts

HEAVY SERIES F9.4 & F9.10 with AXIAL F-NIPPLE and RELEASE SCREW



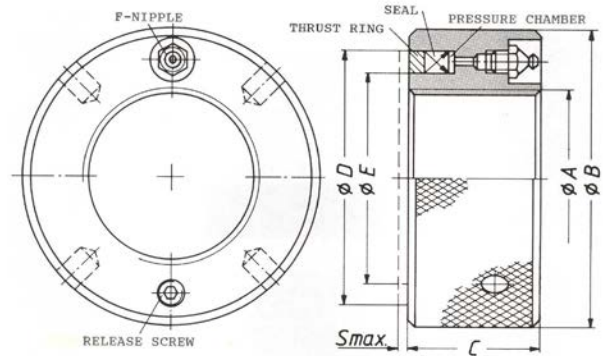
Actuated by manual or motorized grease pump. Self-aligning annular thrust ring with 4 or 10 mm maximum axial travel.

FEATURES:

- Standard black oxide finish for 120°C max. (250°F).
- Special finishes for service up to 240°C max (460°F).
- Alloy tool steel body parts.
- Stainless steel, electroless nickel or chromium plating for optional corrosion resistance.
- Unidirectional, all steel, high pressure F-NIPPLE.
- All components rated at 840 bar max. (12,180 psi).

SELECTION:

- Choose diameter "A" to meet or exceed your major arbor thread size.
- Verify diameters D & E contact an uninterrupted counter face.
- Select thrust ring travel "S" as required.
- B & C dimensions must not exceed available space.
- Ensure adequate clamping force has been selected.
- If necessary, select a larger nut model.



MODEL	NOM. THREAD ø MAX. A		THRUST RING				THRUST RING TRAVEL S		DIAMETER B		THICKNESS C		AXIAL CLAMP FORCE			
			O.D.		I.D.								400 BAR (5,800 psi) T ₁		700 BAR (10,150 psi) T ₂	
			D	E	mm	ton							mm	ton		
F-9.415.5	218	8.500	260	10.236	235	9.252	4	0.157	282	11.102	50	1.969	389	43	680	76
F-9.1015.5			260	10.236	235	9.252	10	0.394	288	11.339	60	2.362				
F-9.416.1	226	8.875	270	10.630	245	9.646	4	0.157	292	11.496	50	1.969	404	45	707	79
F-9.1016.1			270	10.630	245	9.646	10	0.394	298	11.732	60	2.362				
F-9.417.0	242	9.500	285	11.220	260	10.236	4	0.157	305	12.008	50	1.969	428	48	749	84
F-9.1017.0			285	11.220	260	10.236	10	0.394	313	12.323	60	2.362				
F-9.418.0	260	10.250	310	12.205	280	11.024	4	0.157	338	13.307	55	2.165	556	62	973	109
F-9.1018.0			310	12.205	280	11.024	10	0.394	344	13.543	65	2.559				
F-9.419.0	280	11.000	330	12.992	300	11.811	4	0.157	358	14.095	55	2.165	594	67	1039	116
F-9.1019.0			330	12.992	300	11.811	10	0.394	364	14.331	65	2.559				
F-9.419.5	305	12.000	355	13.976	325	12.795	4	0.157	385	15.157	60	2.362	640	71	1121	125
F-9.1019.5			355	13.976	325	12.795	10	0.394	392	15.433	70	2.756				
F-9.420.0	308	12.125	366	14.409	330	12.992	4	0.157	400	15.748	60	2.362	787	88	1377	154
F-9.1020.0			366	14.409	330	12.992	10	0.394	406	15.984	70	2.756				
F-9.1021.0	336	13.250	400	15.748	360	14.173	10	0.394	448	17.638	70	2.756	955	107	1671	187
F-9.1022.0	366	14.375	422	16.614	390	15.354	10	0.394	460	18.110	70	2.756	816	91	1428	160
F-9.1023.0	396	15.625	450	17.717	420	16.535	10	0.394	486	19.134	70	2.756	820	92	1435	161

Special features or requirements can be accommodated. Kindly contact your local agent or call our office directly.