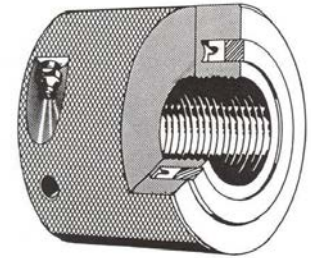


# F-Type Nuts

## STANDARD SERIES F8.4 & F8.10

with TRANSVERSE F-NIPPLE and RELEASE SCREW

Actuated by manual or motorized grease pump. Self-aligning annular thrust ring with 4 or 10 mm maximum axial travel.

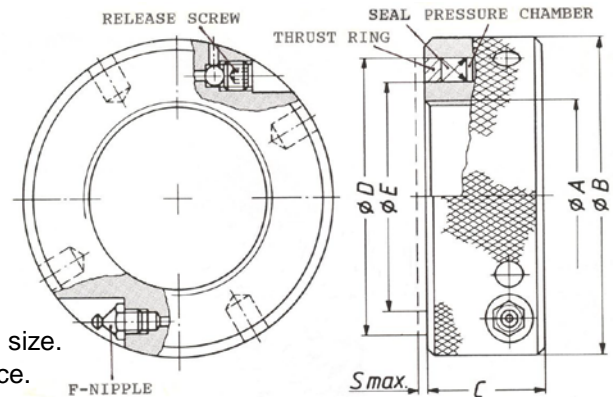


### FEATURES:

- Standard black oxide finish for 120°C max.(250°F).
- Special finishes for service up to 240°C max.(460°F).
- Alloy tool steel body parts.
- Stainless steel, electroless nickel or chromium plating for optional corrosion resistance.
- Unidirectional, all steel, high pressure F-NIPPLE.
- All components rated at 840 bar max. (12,180 psi).

### SELECTION:

- Diameter "A" must meet or exceed your major arbor thread size.
- Verify diameters D & E contact an uninterrupted counter face.
- Select thrust ring travel "S" as required.
- B & C dimensions must not exceed available space.
- Ensure adequate clamping force has been selected.
- If necessary, select a larger nut model.



MODEL	NOM. THREAD Ø MAX. A		THRUST RING				THRUST RING TRAVEL S		DIAMETER B		THICKNESS C		AXIAL CLAMP FORCE			
			O.D.		I.D.								400 BAR (5,800 psi) T <sub>1</sub>		700 BAR (10,150 psi) T <sub>2</sub>	
			D	E	mm	ton							kN	ton		
F-8.405	36	1.375	66	2.598	46	1.811	4	0.157	82	3.228	50	1.969	70	8	123	13
F-8.1005			66	2.598	46	1.811	10	0.394	85	3.346	60	2.362				
F-8.407	52	2.000	82	3.228	62	2.441	4	0.157	98	3.858	50	1.969	90	10	158	18
F-8.1007			82	3.228	62	2.441	10	0.394	102	4.016	60	2.362				
F-8.408	68	2.625	100	3.937	80	3.150	4	0.157	116	4.567	50	1.969	113	13	198	22
F-8.1008			100	3.937	80	3.150	10	0.394	120	4.724	60	2.362				
F-8.409	82	3.250	115	4.528	95	3.740	4	0.157	131	5.157	50	1.969	131	14	230	26
F-8.1009			115	4.528	95	3.740	10	0.394	135	5.315	60	2.362				
F-8.410	100	3.875	130	5.118	112	4.409	4	0.157	148	5.827	50	1.969	137	15	239	27
F-8.1010			130	5.118	112	4.409	10	0.394	152	5.984	60	2.362				
F-8.411	125	4.875	160	6.299	138	5.433	4	0.157	180	7.087	50	1.969	205	23	360	40
F-8.1011			160	6.299	138	5.433	10	0.394	185	7.283	60	2.362				
F-8.412	142	5.625	175	6.890	155	6.102	4	0.157	195	7.677	50	1.969	207	23	363	41
F-8.1012			175	6.890	155	6.102	10	0.394	200	7.874	60	2.362				
F-8.4125	156	6.125	190	7.480	170	6.693	4	0.157	210	8.268	50	1.969	226	25	396	45
F-8.10125			190	7.480	170	6.693	10	0.394	215	8.465	60	2.362				
F-8.413	165	6.500	200	7.874	180	7.087	4	0.157	220	8.661	50	1.969	238	27	417	47
F-8.1013			200	7.874	180	7.087	10	0.394	228	8.976	60	2.362				
F-8.414	186	7.375	222	8.740	202	7.953	4	0.157	242	9.528	50	1.969	266	30	466	52
F-8.1014			222	8.740	202	7.953	10	0.394	250	9.843	60	2.362				
F-8.415	198	7.750	240	9.449	215	8.465	4	0.157	262	10.315	50	1.969	357	40	625	70
F-8.1015			240	9.449	215	8.465	10	0.394	268	10.551	60	2.362				

*Special features or requirements can be accommodated. Kindly contact your local agent or call our office directly.*