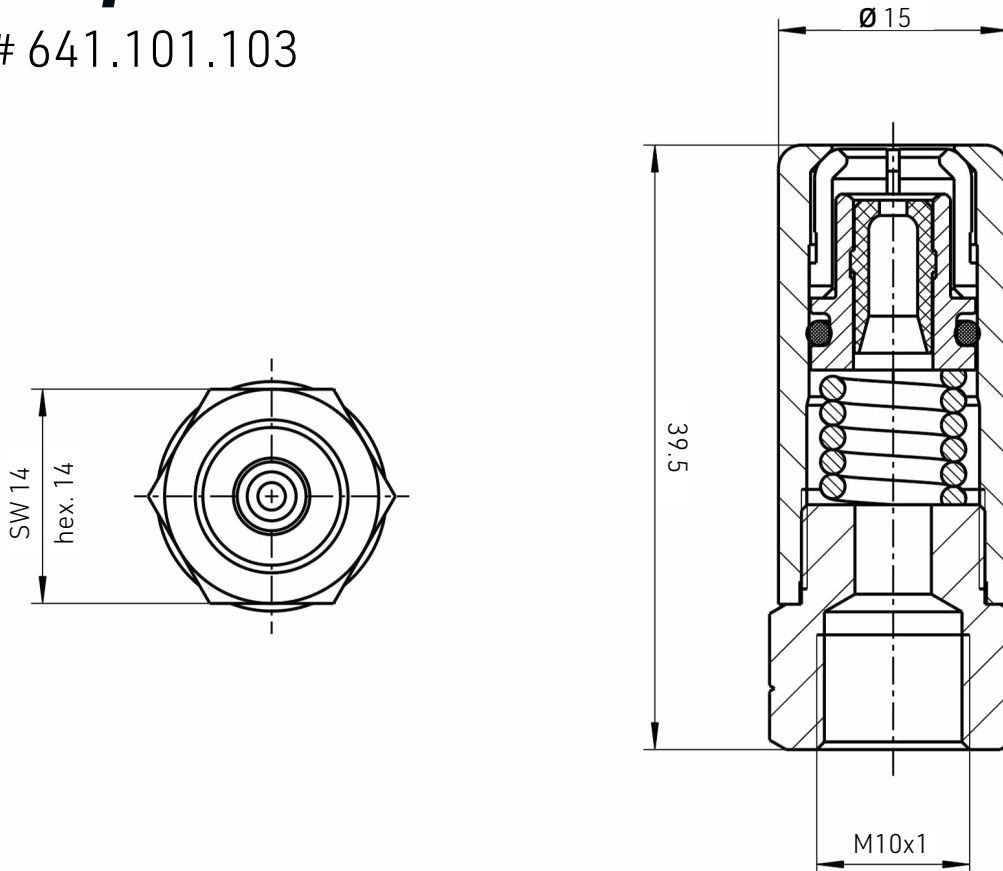


Accessories

F-Coupler

Part # 641.101.103



Special Four-Jaw Coupler; heavy-duty, high-pressure version, for reliable, efficient grease transfer from the Amtec Handpumps to the Amtec F-Nipple mounted in the Amtec F-Type Hydraulic Nuts.

- Allows for easy coupling and uncoupling on standard dimensioned grease fittings
- Absolute grip ensured at angles up to 12 degrees
- 4-jaw grip ensures minimal grease leakage around the F-Nipple
- To disconnect; release input pressure from the Amtec Handpump by opening the black thumb screw, tilt the handpump lightly and rotate while extracting from the Amtec F-Nipple.
- This above procedure ensures a long service life for the F-Coupler and the F-Nipple.
- Maximum operating pressure: 700 bar (10,150 psi)
- External Diameter: 15 mm (0.591")
- Width Across Flats: 14 mm (0.551")
- Length: 40 mm (1.575")
- Internal Thread: M10 x 1.0 p
- Weight: 0.04 Kg (0.09 lbs)

Note: Before installing new F-Couplers, always apply (2) wraps of plumbers Teflon tape over the external thread, or apply liquid thread sealant, and tighten using 14 mm or 9/16" open end wrench.