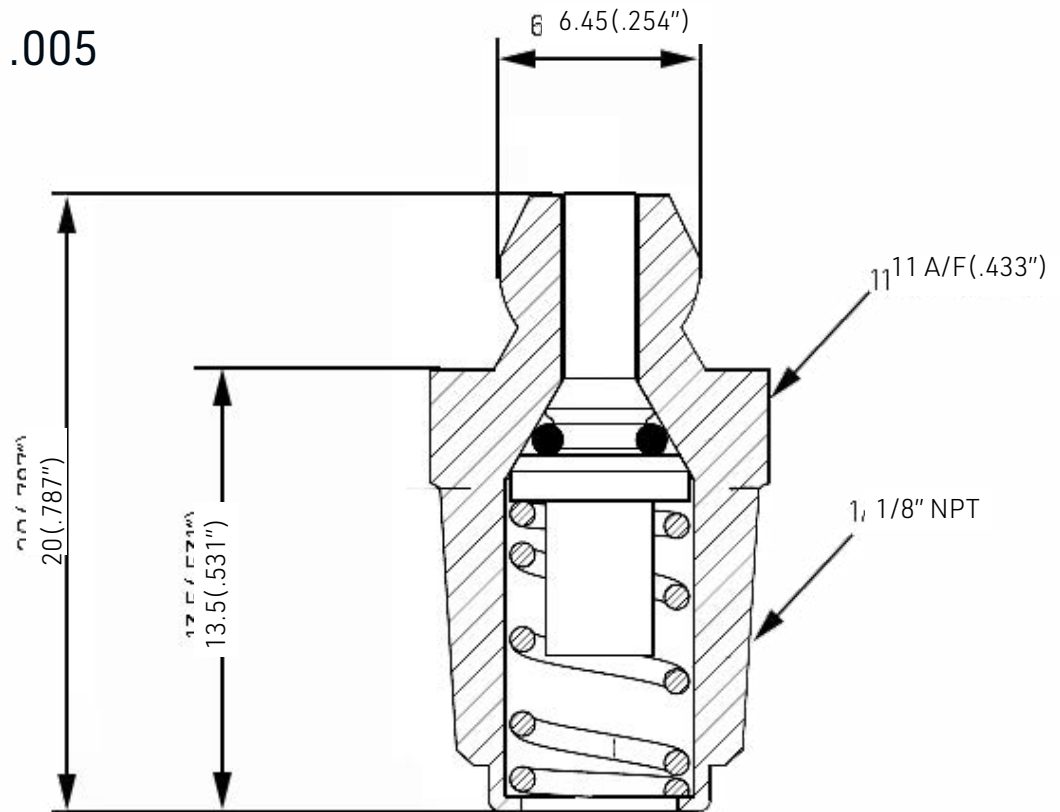


Accessories

F-Nipple

Part # 710.101.005



Specially engineered one-way valve, high-pressure, heavy-duty, grease transfer fitting for use in all Amtec F-Type Hydraulic Nuts and other special lubrication applications.

- Hardened steel body
- Internal pin to prevent entry of dirt during operation
- High-strength internal sealing system for long life
- Tip dimensions compatible with many standard, low pressure fittings, allowing the use of low and high pressure grease input connectors as required.
- Always release input pressure at the handpump before attempting to remove the handpump coupler (connector) from the F-Nipple.
- Operating pressure 300 to 700 bar (4350 to 10,150 psi)
- Weight 0.08 Kg (0.18 lbs)

Note: Before installing new F-Nipples, always apply (2) wraps of Teflon tape over the thread, or apply liquid thread sealant, and tighten using 11 mm or 7/16" socket wrench.