

GX-Type Nuts Accessories



Amtec Assist Bars

Part Number: 801.101.***.***

Install and remove nuts with ease.

See page 76 for details.

GX-Couplers & GX-Nipples

Rated for over 1000 bar (14,500 PSI)

Connects pumps or oil activated nuts, even under pressure.

See page 78 for details.



Replacement Parts

Replacement parts are available for all GX-Nuts.

Contact Amtec your local distributor for more informations.



High-Pressure Handpumps

These reliable, high pressure pumps come in 250, 400 and 700 bar pressure ranges Operates H-nuts or GX-nuts. Custom options available.

See page 66 for details.

Accessories

Assist Bars



Assist Bar	Used For Amtec Nuts
801.101.125.065	K-7.101L to K-7.202L
801.101.128.095	K-6.104 to K-6.206L K-7.103L to K-7.206L
801.101.200.127	F-8.405 to F-8.1011 F-9.405 to F-9.1011 K-6.107L to K-6.211L K-7.107L to K-7.410L H-2.405 to H-2.1011 H-3.405 to H-3.1011
801.101.280.127	F-8.412 to F-8.1015 F-9.412 to F-9.1015 K-6.212L to K-6.215L H-2.412 to H-2.1015 H-3.412 to H-3.1015
801.101.203.190	F-8.415.5 to F-8.1016.1 F-8.411.017 to F-8.1015.517 F-9.415.5 to F-9.1016.1 F-9.411.017 to F-9.1015.517 K-6.216L to K-6.217L H-2.415.5 to H-2.1016.1 H-3.415.5 to H-3.1016.1

Assist Bar	Used For Amtec Nuts
801.101.305.190	F-8.417.0 to F-8.1019.5 F-9.417.0 to F-9.1019.5 F-8.417.017 to F-8.1019.517 F-9.417.017 to F-8.1019.517 H-2.417.0 to H-2.1019.5 H-3.417.0 to H-3.1019.5 GX-4.415.5 to GX-4.1018 GX-5.415.5 to GX-5.1018
801.101.360.190B	F-8.1020.0 to F-8.1023.0 F-8.420.017 to F-8.1020.107 F-9.1020.0 to F-9.1023.0 F-9.420.017 to F-9.1023.017 H-2.1020.0 to H-2.1023.0 H-3.1020.0 to H-3.1023.0 GX-4.1019 to GX-4.1025 GX-5.1019 to GX-5.1025

Use assist bars to retract the thrust ring into the nut body after production and before removing the clamp.

The assist bar also helps remove nuts on sticky arbors while preventing hammering or other costly damage to clamps.

See nut operating instructions for more information on using Amtec assist bars.

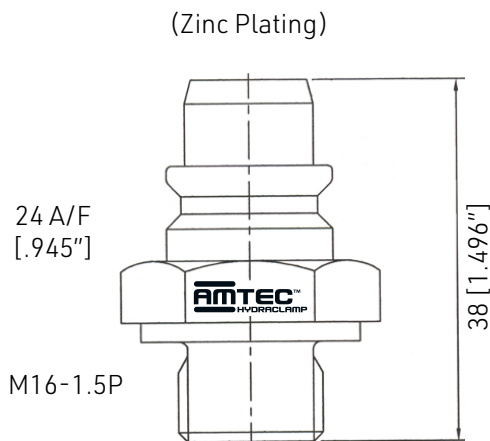


Accessories

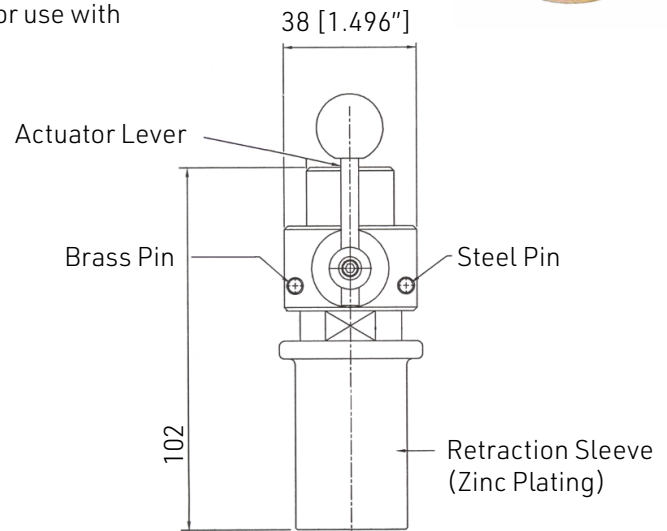
GX Coupler & GX Nipples

MODELS 641.205.010 / 710.205.010
700 BAR WORKING PRESSURE

Quick disconnect, zinc plated, high-pressure oil connector for use with GX-Nipples exclusively.



GX-Nipple – 710.205.010



GX-Coupler – 641.205.010

General:

This unique, compact, Amtec designed and built, high-pressure oil connector and nipple arrangement allows for rapid connection and release with full pressure maintained in the associated clamping device.

Safety:

1. Zinc Plating identifies mating GX-Coupler and GX-Nipple by sight.
2. Mechanical interlocks allow only GX components to fully connect before pressurizing.
3. Pressures up to 1,000 bar (14,500 psi) can be handled under special conditions.
4. Compact design allows the GX-Nipple to be fully recessed into the clamping device to prevent operating damage, while the GX-Coupler is easily operated with one hand.
5. Other visually coded, interlocked models are available for low pressure and/or special service.

Special features or requirements can be accommodated. Kindly contact your local agent or call our office directly.

Convenience:

1. Positioning of the actuator lever and pulling back on the retraction sleeve allows for rapid connection or separation of the GX-Coupler and the GX-Nipple.
2. Pressurized oil is directed to the clamping device or to the reservoir by placing the actuator lever against the brass pin or the steel pin respectively.
3. A ball-type locking arrangement allows for a smooth, positive interlock between the GX-Coupler and the GX-Nipple.

Durability:

1. Hardened alloy steel components ensure reduced wear and operating damage.
2. Special high pressure seal material and precision machined parts ensure "leak proof" quality.
3. Amtec GX components have successfully operated in the steel industry for over 20 years.



Oil Handpumps

SERIES 114.427...

A portable, or permanently mounted handpump for pressurizing all Amtec oil activated clamping devices up to 700 bar (10,150 psi).

Standard Models	Maximum Operating Pressure	Reservoir Capacity	Weight
114.427.256-400	400 bar (5800 PSI)	1.8 L (0.47 gal)	7.8kg (17.2lbs)
114.427.406-400	400 bar (5800 PSI)	4.0 L (1.05 gal)	11kg (24.2lbs)
114.427.259-700	700 bar (10,150 PSI)	1.8 L (0.47 gal)	7.8kg (17.2lbs)
114.427.409-700	700 bar (10,150 PSI)	4.0 L (1.05 gal)	11kg (24.2lbs)

We custom engineer Amtec Series 114.427 oil handpumps to handle high pressure requirements for many types of oil activated clamping devices. Decades of field engineering have resulted in a safe, convenient and durable handpump to meet most specifications.

A 2-way control valve is provided to activate the clamping position and then dumping fluid back to the reservoir to provide operational simplicity. A visually coded/mechanically interlocked Amtec GX-Coupler, included with every pump, offers positive lock to our GX-Nipple. The quick-disconnect function for clamping devices ensures safe and convenient interaction between the pump and the clamping device under all operating conditions. Operating pressure can be pre-set to ensure specific clamping control. Once the preset pressure is reached, excess oil is dumped back into the reservoir through the internal relief valve, without any increase in pressure to the clamping device. Amtec presets the pressure control, which is located inside the reservoir to prevent unwarranted changes.

Amtec recommends standard ISO AW 32 or 46 hydraulic oil. Flexible hose extensions may be added, as required for long distance operation. The 114.427 compact size and light weight provide convenience and ease of movement for use in restricted areas. The pump is portable, or it can be permanently mounted either horizontally or vertically. Models available for various pressure and capacity requirements. We also offer 4-way directional valves for double-acting clamps, such as our Step Nuts (page 58).

Additional Features:

1. Steel pump body, handle, linkage, fittings and reservoir
2. Steel valve seats
3. Rubber covered pressure gauge
4. Many pumps have been in continuous service for over 20 years



See website for operating manuals.