



# Handpumps

## ROD Series 112.110.210...

A portable, grease cartridge type handpump with rod-type retraction handle for pressurizing all Amtec Hydraclamp F-Type clamping devices up to 700 bar (10,150 psi) maximum.

Available Models	Maximum Operating Pressure
112.110.210-250	250 bar (3,625 psi)
112.110.210-400	400 bar (5800 PSI)
112.110.210-700	700 bar (10,150 psi)

*All components are rated at 850 bar (12,325 psi).*

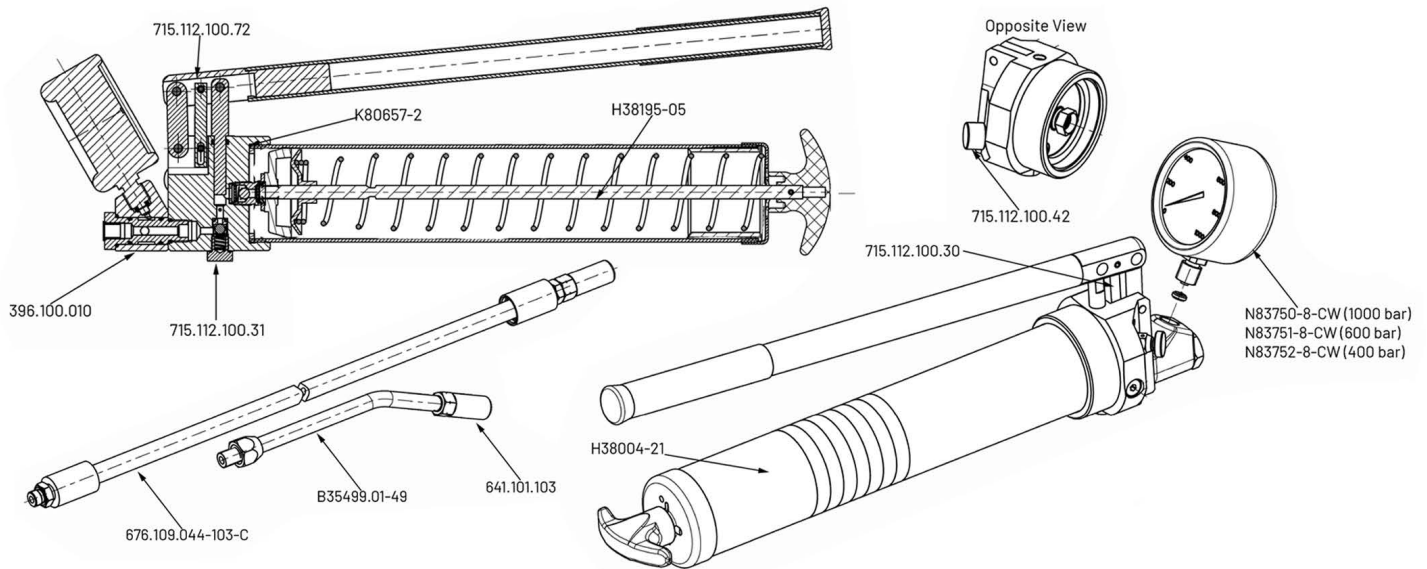
The custom engineered Amtec 112.110.210 handpump exceeds high pressure requirements for all types of hydraulic clamping devices using Amtec F-Nipples or standard fittings. Not to be confused with simple grease guns, many years of field engineering has resulted in a safe, convenient and durable handpump to meet all specifications. Our internal relief valve provides variable, specific clamping control. Once the pre-set pressure is reached, excess grease is dumped back into the grease chamber without any increase in pressure to the clamping device. The pressure release thumb screw dumps pressure from the F-Coupler and extension back into the grease chamber. This allows for easy removal of the F-Coupler from the F-Nipple and prevents damaging the coupler, the nipple or straining the operator. Also, all bypass grease is retained inside the pump to reduce contamination of equipment. The pump's swivel pressure gauge offers visual confirmation of pressure level from any angle.

All components are rated at 850 bar (12,325 psi). Use standard 400 ml grease cartridges with manually inserted red plastic follower. However, the rod-type handpump is also easily refilled using our Bulk Fill System (page 69). The rod type retraction handle requires less force to compress the follower coil spring and ensures positive expulsion of all grease in the cartridge. Our flexible and rigid extensions are provided with every new pump. Flexible is 600 mm (23.62") long and rigid is 160 mm (6.30"). Both extensions carry 4-jaw F-Couplers. The long handle is provided for ease of pumping to maximum pressure. All new Amtec handpumps come with the following service items:

1. Three grease cartridges (one installed in pump)
2. Flexible extension with F-Coupler (rigid coupler comes installed)



# 112.110.210-XXX Rod Type Handpump Parts Breakdown



Amtec Hydraclamp rod type handpumps are high quality, precision made items with legendary reliability. Because of their high-quality nature and repeated serviceability, your pump enjoys a nearly infinite service life. If you're not comfortable servicing your own pump, please send it to your local distributor or Amtec Hydraclamp directly, where it will be returned to operating condition. The list below shows only common replacement parts, but all parts are available upon request.

## 112.110.210 - Common Replacement Parts

Part Number	Description
N83750-8-CW	1000 Bar Pressure Gauge with Protective Cover (for 700 bar pumps)
N83751-8-CW	600 Bar Pressure Gauge with Protective Cover (for 400 bar pumps)
N83752-8-CW	400 Bar Pressure Gauge with Protective Cover (for 250 bar pumps)
641.101.103	F-Coupler
801.200.002	400ml Preplacement Grease Cartridge (not pictured)
715.112.100.72	Handle Assembly Kit
396.100.010	Swivel
715.112.100.31	Non-Return Valve (Check Valve )Kit
K80657-2	Body Seal
H38195-05	Rod Kit Internals
715.112.100.30	Head & Handle Kit
H38004-21	Barrel
676.109.044-103-C	Flexible Extension with F-Coupler
B35499.01-49	Rigid Extension with F-Coupler
715.112.100.42	Black Pressure Release Thumb Screw

Most Common Items