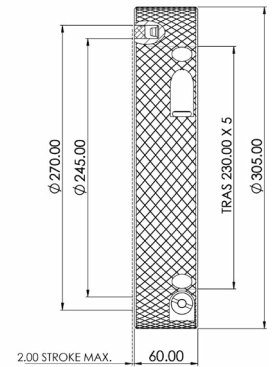
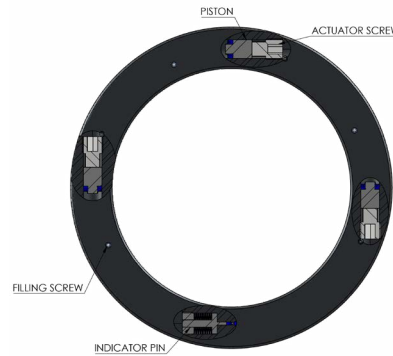


# Side Trimmer Nuts

Amtec Sider Trimmer Nuts are a standard series of hydraulic nuts commonly used for heavy duty side trimmer applications. These K-Series piston activated hydraulic nuts with indicator pins are the newest revisions to the K-531 series nut they replace.

Used primarily on the Top Arbor Inboard, Top Arbor Outboard and Bottom Arbor Outboard locations, Amtec stocks these nuts with their standard metric trapezoidal thread configurations.

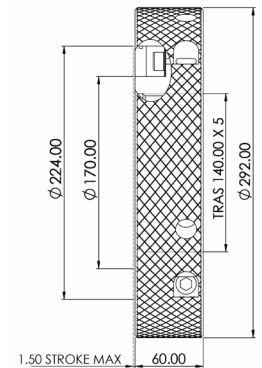
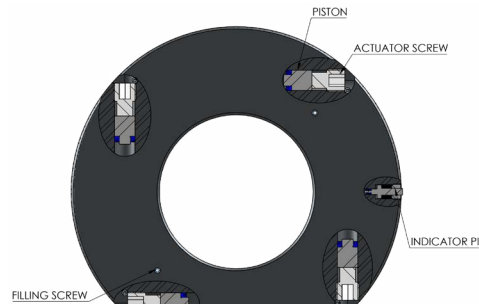


DWG Number: 22405314

Old Part Number: K-531.305.610N

New Part Number: K-025.305.610

Thread: T230 X 5P RH

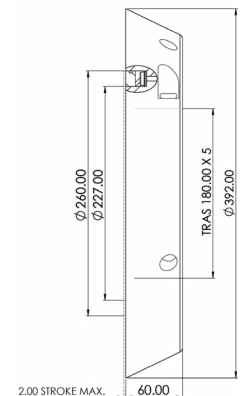
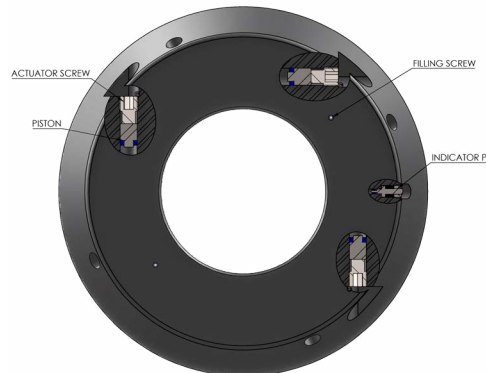


DWG Number: 22405311

Old Part Number: K-531.292.610N

New Part Number: K-612.292.625

Thread: T140 X 5P RH



DWG Number: 22405325

Old Part Number: K-531.292.620N

New Part Number: K-229.392.625

Thread: T180 X 5P RH