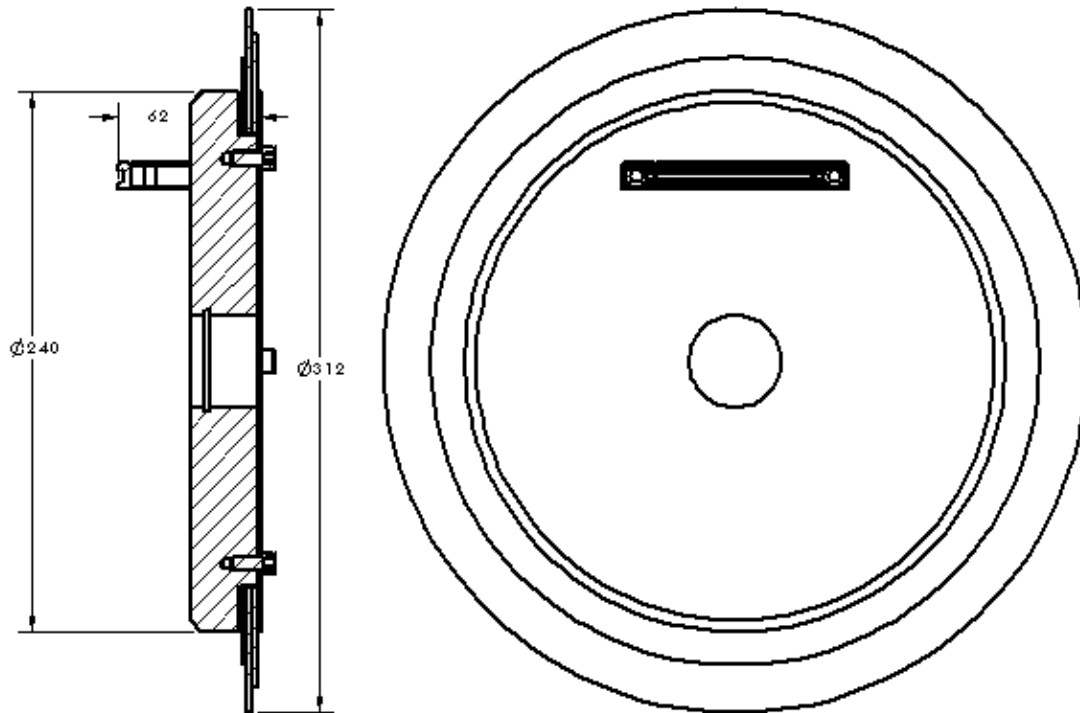


# Amtec Follower Kit

**Follower Kit Model #4326005**

**For use with Bulk-Fill Pump Model #193.112.110.011**



FOR USE WITH INSIDE PAIL DIA METER OF 280-310 (17-20 Kg GREASE PAILS)