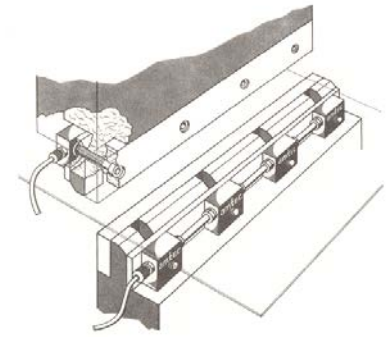
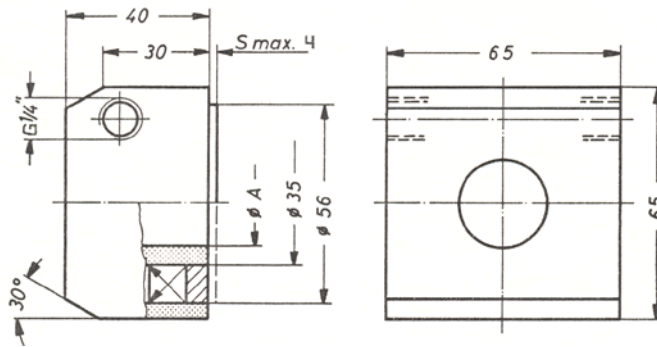


# H-Type Nuts Rapid Shear Knife Change-Over

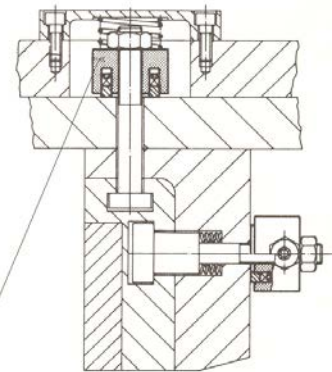


Oil activated, Anti-rotational, Amtec H-Type Nuts which can be circular, rectangular or square to suit operational requirements.



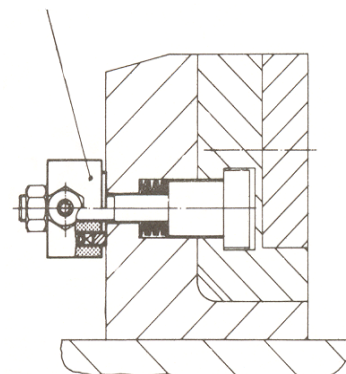
Amtec H-Type Nuts are being used in securing straight shear knives and holder/knife arrangements in strip, plate and bar product mills to facilitate rapid knife changes.

The bolster, in the top left layout, is slotted to allow the bolt shanks to pass in or out of place while inserted through the knives and into the nuts as an assembly. A manual hose connection is made after installation to connect a remote oil charging port, using Amtec GX "quick-disconnect" Nipples and Couplers, or direct piping from an oil pumping system.



The cross-sectional sketch to the right shows a bar mill top and bottom knife assembly where the knife holder and the knife are removed as an assembly through the end frame with T-slots in the holder. The top holder/knife assembly is clamped vertically and horizontally while the bottom assembly is clamped horizontally. The bottom assembly can be adjusted for gap requirements then clamped by additional under-mounted H-Type Nuts. All the nuts would be connected to a remote oil pumping system and sequenced to suit the clamping program.

H-049.065.210



*Special features or requirements can be accommodated. Kindly contact your local agent or call our office directly.*

Information Sheet No. 001N010.002.111 Feb/07  
 © Amtec Hydraclamp